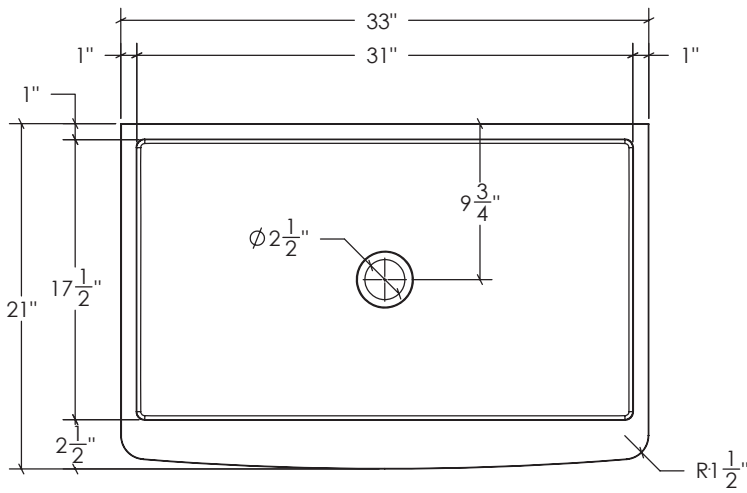




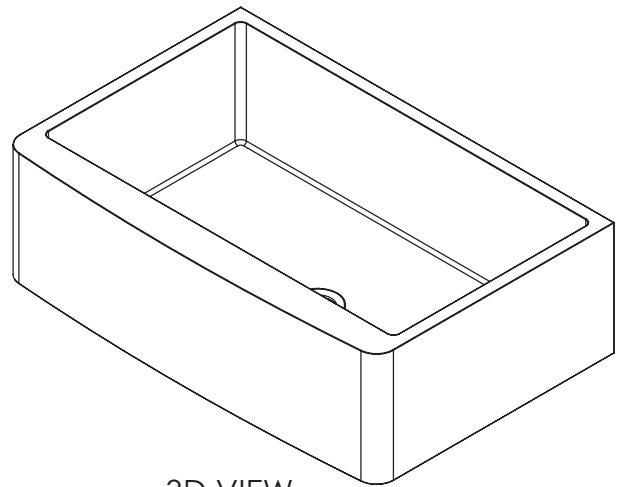
## KSS-001

**FEATURES:**

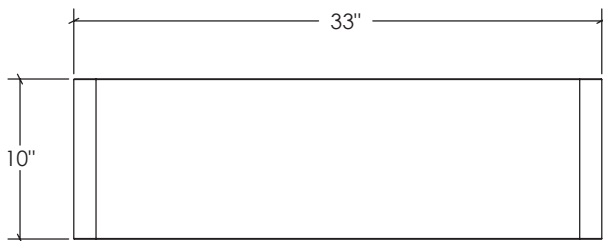
- \* Sink Size: 33" x 21" x 10"
- \* Material: 304 Stainless Steel, 18 Gauge
- \* Apron Front Sink
- \* Strainer Drain Provided
- \* Warranty: Limited Lifetime Warranty



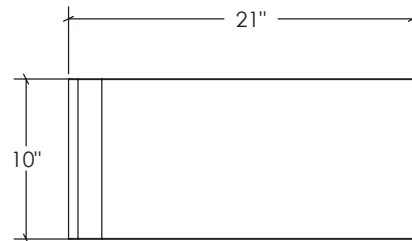
TOP VIEW



3D VIEW



FRONT VIEW



SIDE VIEW

### JOB INFORMATION:

Job Name \_\_\_\_\_  
 Date Specified \_\_\_\_\_  
 Contractor \_\_\_\_\_

\* Specifications and drawings provided on this sheet are for illustration only. Cantrio Concepts will not be held responsible for cutouts made without the actual product or product template.